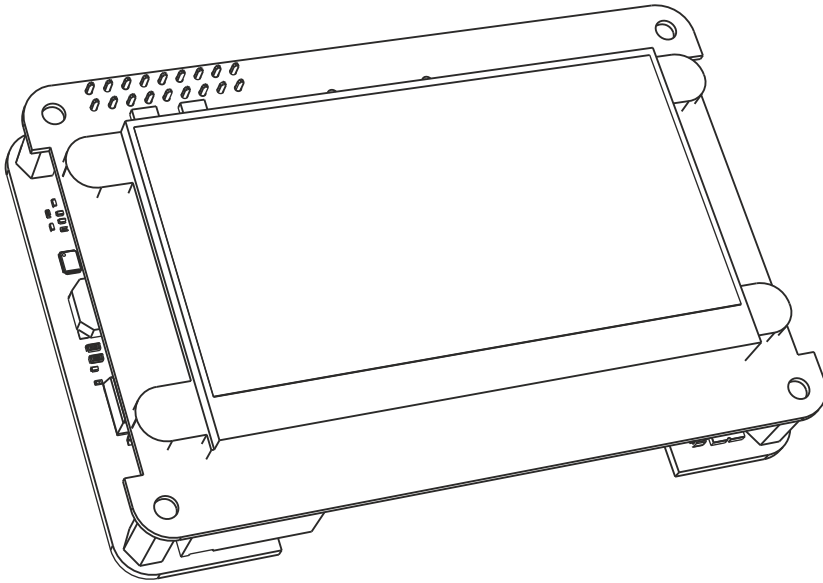
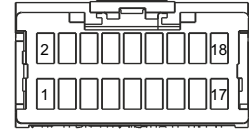


MCR04-G contactless MIFARE® card reader



Connector Pinout



1- RS485 A	2- OUT 1B
3- RS485 B	4- OUT 1A
5- GND	6- COM 1A
7- Console RX	8- OUT 2B
9- Console TX	10- OUT 2A
11- RS232 RX	12- COM 2A
13- RS232 TX	14- V I/O
15- GND	16- EXT IN1
17- AUX PWR	18- EXT IN0

Description

MCR04-G is an 13.56MHz RFID & communication terminal designed to be used in Access Control/ Attendance Control/Contactless Payment systems.

MCR04-G has number of communication options such as GSM/GPRS, Ethernet, WiFi, Bluetooth 4.2 and serial ports. It has larger device memory compared to standard MCR04 series and also supports SD cards for bulk storage.

Specifications

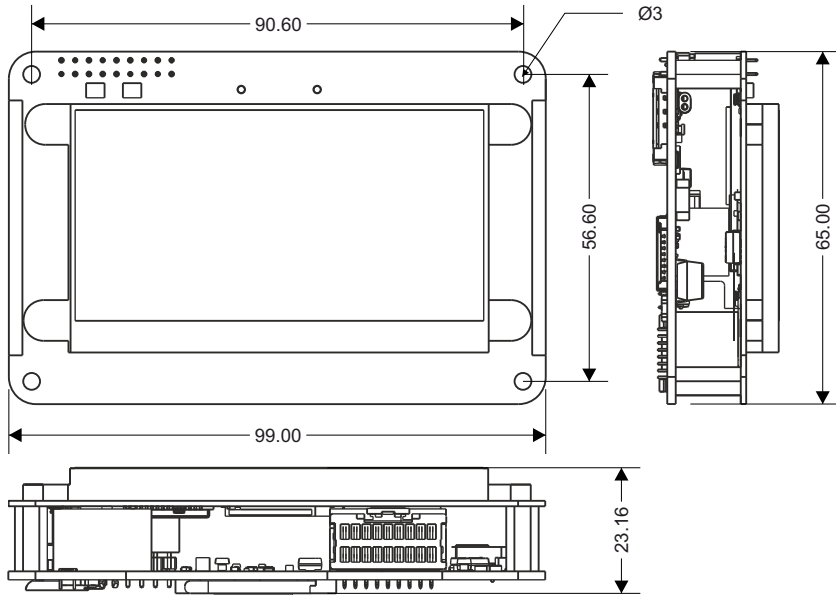
- 3.3" 128x64 Pixels Blue-White MonoChrome LCD Screen
- 13.56 MHz Temassız MIFARE/RFID Okuyucu
- Ethernet & PoE
- Internal GSM/GPRS 2G Modem
- IEEE 802.11 b/g/n WiFi
- Bluetooth 4.2
- Internal Relay & Digital Input
- Simple configuration and control over the network
- Online/Offline Modes
- SDK for system and device integrators

Applications

- Access Control
- Attendance and Time Control
- Cashless Payment Systems (Campus Cards, Prepaid Close Loop Shopping etc.)
- Smart Home/Building Automation
- Vending Machines & Kiosks
- IoT Gateway & Indoor Tracking
- Telemetry Monitoring

MCR04-G contactless MIFARE® card reader

Dimensions (mm)

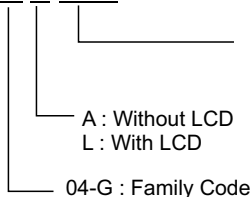


Technical Specifications

- MIFARE® ISO14443A (B*)
- 5cm Contactless Reading Distance
- Classic, Plus and Ultralight Read/Write
- 50 ohm External RFID Antenna Port
- 3.3" Graphical LCD, 128 x 64 Pixels
- LED Blue-White Backlight
- 32-bit ARM Cortex High Performance CPU
- 8 GB Dahili uSD Memory
- 1 MB Dahili NOR Flash Memory
- Ethernet 10/100 Mbps
- Integrated TCP/IP (UDP,ICMP, FTP, NTP, Ping) Software Stack
- Internal GSM/GPRS 2G Modem*
- Internal Wi-Fi IEEE 802.11 b/g/n / Bluetooth BLE 4.2 Modem*
- Remote configuration over the local area network
- RS232 Port (300-115200 Baud)*
- RS485 Port (300-115200 Baud)*
- Inputs & Outputs (See Schematic Section For Details)
- 2xRelay Outputs (1.5A Dry Contact)
- 4xOpto-isolated digital inputs
- Built-in Real Time Clock (RTC) with Battery Back-up
- Online & Offline Operation
- Internal rechargeable battery*
- 2 LEDs*
- Buzzer Audible Tones
- 6-35V DC Operational
- PoE IEEE 802.3af
- -40 °C ... +85 °C Industrial Operating Temperature

Ordering Information

MCRXX X-XXX-OEM



- U : USB Port
- E : Ethernet Port
- R3 : RS232 Port
- R4 : RS485 Port
- RL : Relay (2 for dual Relay)



Input / Output Schematics

