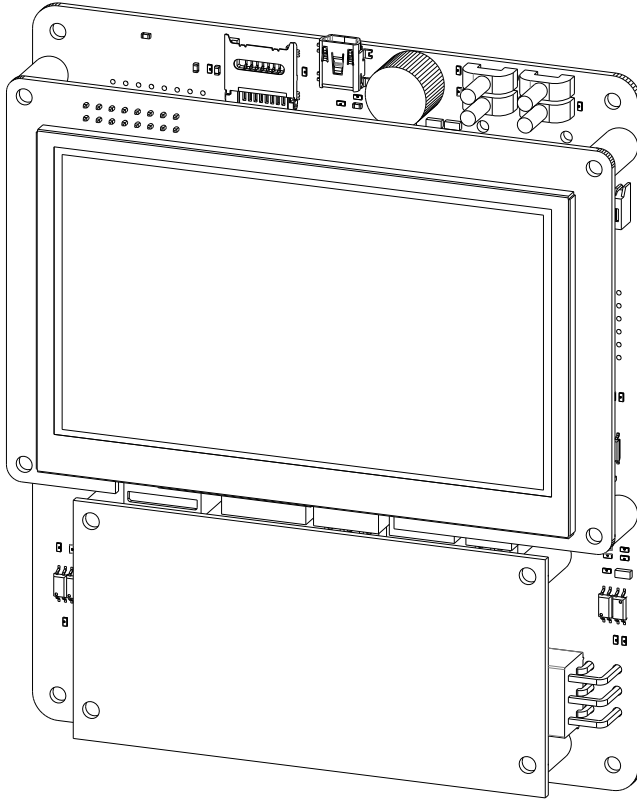


MCR08-G contactless MIFARE card reader



Description

MCR08-G is a multi purpose 13.56MHz RFID & communication terminal designed to be used in Access Control/ Attendance Control/Contactless Payment systems.

In addition to MCR08 series devices, MCR08-G has a number of communication options such as **GPRS/NB-IoT/Wi-Fi/Bluetooth** through mini-PCI expansion slot.

Specifications

- 4.3" TFT Touch Screen
- 13.56 MHz Contactless MIFARE/NFC/RFID Reader
- Ethernet and GPRS/2G/3G/LTE or Wi-Fi & Bluetooth Communication
- Internal Relay & Digital Input
- Configuration over the network
- SDK for system and device integrators

Applications

- Access & Attendance Control
- Cashless payment systems
- E-ticketing Applications (On turnstiles & with barcode scanner)
- Reservation and registration
- Electric vehicle charging stations
- Smart building automation
- Vending machines and kiosks
- HMI Operator Panels for Automation with RFID
- Asset tracking & sensing (ICODE etc.)
- IoT Gateway & Tracking
- Telemetry Monitor & Tracking Screen

MCR08-G contactless MIFARE card reader

Technical Specifications

- MIFARE®, ISO14443A/B
Classic, DesFire, Plus and Ultralight Contactless Read / Write
ISO/IEC 15693*
ISO/IEC 18000* (ICODE)
50 ohm external antenna*
- 4.3" TFT Capacitive/Resistive LCD Touchscreen
- 32-bit ARM Cortex High Performance CPU
- 8 GB Internal uSD Memory
1 MB Internal NOR Flash Memory
128 KB FRAM*
- Ethernet 10/100 Mbps
Integrated TCP/IP (UDP,ICMP, FTP, NTP, Ping) Stack
GSM/GPRS 2G/3G/LTE/NB-IoT miniPCIe Modem*
Wi-Fi IEEE 802.11 b/g/n / Bluetooth BLE 4.2 miniPCIe Modem*
- RS232 Port (300-115200 Baud)
RS485 Port (300-115200 Baud)
- USB 2.0 (VCOM, HID)
- 2x Relay Outputs (1.5A max.)
4x Optical Isolated Digital Input
- Offline Operational Mode
Real time clock with backup battery (RTC)
Real audio output with internal amplifier and speaker
4 LEDs Display
- 6-35V DC Operation Voltage
PoE (Power Over Ethernet) with PoE Injector Hardware
- -20 °C ... +70 °C Operational
- -30 °C ... +80 °C Storage

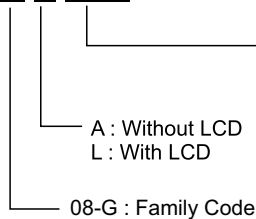
* optional

NOTES:

- Enclosure is also available.

Ordering Information

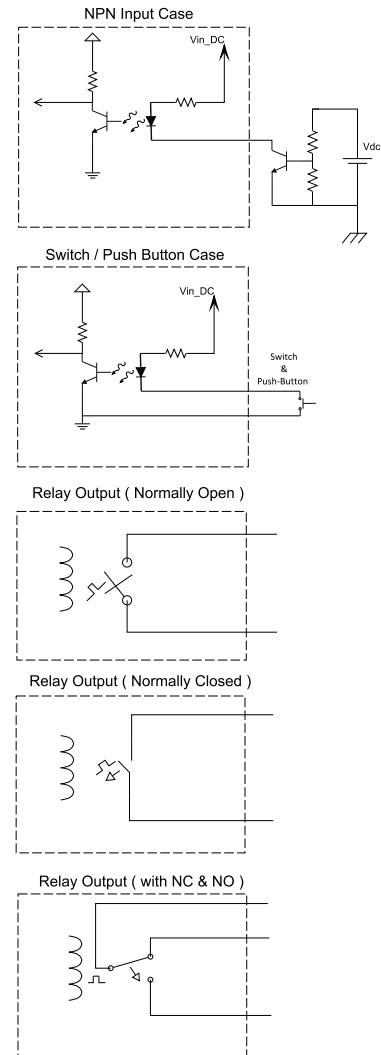
MCRXX X-XXX-OEM



U : USB Port
M: MDB Port
E : Ethernet Port
R3 : RS232 Port
R4 : RS485 Port
RL : Relay (2 for dual Relay)



Input / Output Schematics



MCR08-G contactless MIFARE card reader

Dimensions (mm)

